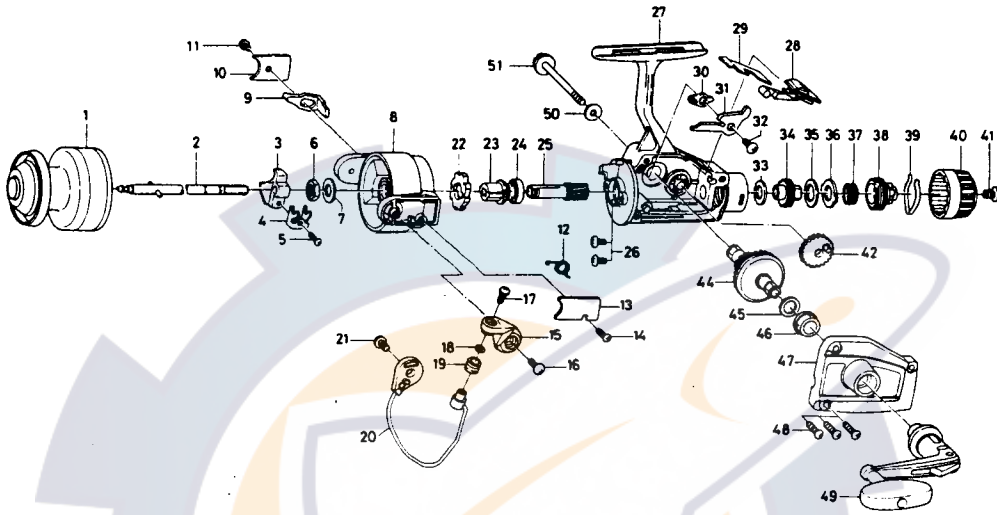




SPINNING REEL AB1050/1350



Key No.	Parts No.	Parts Name	Price Each	Key No.	Parts No.	Parts Name	Price Each
1	B77-8606	Spool	6.50	30	B80-3901	Anti-reverse pawl plate	0.60
2	B74-8201	Main shaft	1.20	31	B74-6302	Anti-reverse pawl	0.40
3	B74-8101	Oscillating slider	0.90	32	351-6102	Anti-reverse pawl screw	0.50
4	B81-2701	Oscillating slider retainer	0.35	33	B48-9901	Drag washer A	0.40
5	351-1804	Oscillating slider screw	0.35	34	B74-7401	Click gear	0.85
6	341-9201	Rotor nut	0.50	35	B76-0501	Drag washer B	0.40
7	373-5402	Rotor washer	0.35	36	B49-0101	Eared washer	0.35
8	B76-1204	Rotor	5.50	37	B92-6701	Drag coil spring	0.35
9	B76-2901	Bail trip lever	0.60	38	B74-7603	Drag screw	0.90
10	B74-7302	Bail trip cover	0.35	39	B74-7701	Drag washer spring	0.40
11	352-0402	Bail trip cover screw	0.35	40	B74-7801	Drag knob	1.00
12	B18-7702	Bail spring	0.45	41	352-1105	Drag knob spring screw	0.70
13	B76-0101	Bail spring cover	0.35	42	413-4501	Oscillating gear	0.60
14	352-0402	Bail spring cover screw	0.35	44	B82-2601	Drive gear	1.30
15	B76-0201	Bail arm	0.75	45	373-7800	Drive gear washer	0.35
16	351-6102	Bail arm screw	0.50	46	B12-9002	Bearing	0.35
17	B67-9301	Line roller screw	0.35	47	C00-0701	Side cover	3.20
18	B55-4301	Line roller washer	0.35	48	351-6407	Side cover screw	0.35
19	250-3921	Line roller	0.80	49	B93-3601	Handle	7.00
20	B76-2101	Bail	1.85	50	372-3501	Handle lock washer	0.40
21	351-6102	Bail trip cam screw	0.50	51	B62-4702	Handle lock screw	0.50
22	B76-0002	Anti-reverse ratchet	1.25				
23	B93-3401	Pinion spacer	0.60	AB1350 special parts			
24	637-5701	Ball bearing	5.60	1	B77-8810	Spool	6.50
25	B82-3201	Pinion gear	3.00	8	B75-9904	Rotor	5.50
26	351-7703	Ball bearing screw	0.40	9	B74-7201	Rail trip lever	0.60
27	C00-0601	Body	5.50	20	B76-2301	Bail	2.65
28	B84-8901	Anti-reverse lever	0.60	27	C00-0602	Body	5.50
29	B79-0101	Anti-reverse cam spring	0.50	47	C00-0702	Side cover	3.20